

# MT607i

## Windows CE touch panel computer with 7" TFT LCD display



### **Introduction**

The MT607i is a miniature and compact platform with no redundant functions. Its RISC kernel, the ARM11 high performance micro-processor, supports Windows CE. ARM926EJ core integrates a 2D Graphics Accelerator and an added low power mode.

The MT607i is equipped with a USB 1.1 host, a USB 2.0 high speed device and SD card slot.

### **Specifications**

- **Construction:** plastic molding housing
- **Display:** 7" 65,536 color TFT LCD
- **CPU and core logic:** 32 Bits RISC 400 MHz processor
- **DRAM:** 64 MB DDR2 on board
- **Storage:** 128 MB flash memory on board
- **I/O:** 3 serial ports: Com1: RS-232/RS-485 2w/4w,  
Com2: RS-232,  
Com3: RS-232/RS-485 2w  
1 Ethernet port (10/100Base-T)  
1 USB 1.1 host  
1 USB 2.0 high speed device
- **Sound output:** Line out
- **RTC:** Built-in
- **Power input:** 24±20% V<sub>DC</sub>, 250mA@24VDC
- **Dimension (W x H x D):** 200 x 146 x 42.5mm
- **Weight:** 0.85kg
- **Software:** Windows CE 5.0 OS

### **Features**

- 7" 800x480 TFT LCD
- 400MHz RISC CPU
- Fan-less cooling system
- NEMA4/IP65 compliant front panel
- LED Back Lights
- One USB Host and one USB client port
- SD card slot
- Power Isolator inside.

### **LCD Display**

Display type	TFT LCD
Display size (diagonal)	7"
Max colors	65536
Resolution	800 x 480
Pixel pitch (HxV, mm)	0.1905 x 0.0635
Viewing angle (°)	50/60/65/65 (T/B/R/L)
Luminance (cd/m <sup>2</sup> )	500
Backlight	LED
Backlight Life time	30,000 hrs.
Contrast ratio	500:1

### **Touchscreen**

- **Type:** 4-wire, analog resistive
- **Resolution:** continuous
- **Light transmission:** above 80%
- **Life:** 1 million activation minimum

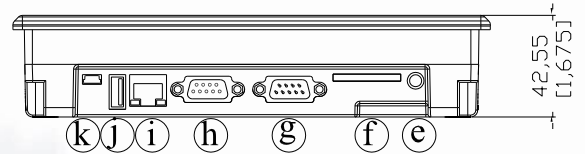
### **Environmental Specifications**

- **Operating temperature:** 0° ~ 50°C (32° ~ 122°F)
- **Storage temperature:** -20° ~ 60°C (-4° ~ 140°F)
- **Relative humidity:** 10% ~ 90% @ 40°C, non-condensing
- **Shock (operation):** 10 to 25Hz(X,Y,Z direction 2G 30minutes)
- **CE/FCC:** Complies with EN 55022:2006, Class A  
EN 61000-3-2:2006  
EN 61000-3-3:1995+A1:2001+A2:2005  
EN 55024:1998+A1:2001+A2:2003
- **Front panel meets NEMA4 / IP65**

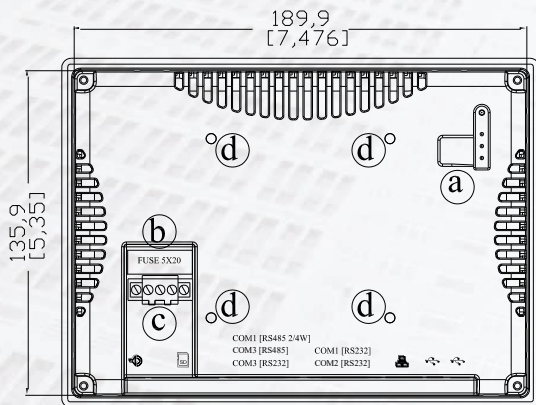
**◆ Dimensions Drawing**



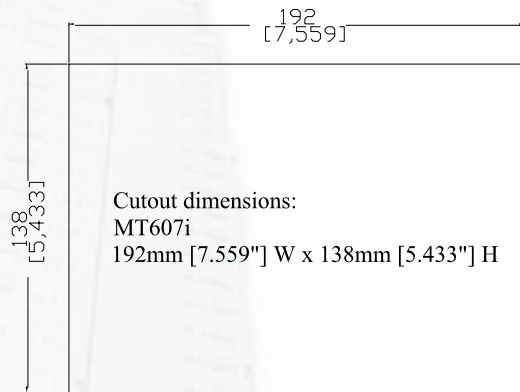
*Front View*



*Bottom View*



*Rear View*



Cutout dimensions:  
 MT607i  
 192mm [7.559"] W x 138mm [5.433"] H

a	DIP SW & Reset button	g	Com1 RS485, Com3 RS485, Com3 RS232
b	Fuse	h	Com1 RS232, Com2 RS232
c	Power connector	i	Ethernet port
d	VESA 75mm screw holes	j	USB Host port
e	Line Out	k	USB Client port
f	SD card slot		

**Ordering Information**

☐ **MT607i:**  
 7" 800x480 TFT LCD HMI, 128MB flash memory/64MB DDR2 RAM on board. Windows CE .NET 5.0 license.